



TECTUL

TAPA RÁPIDA EN ALUMINIO

MATERIALES

CARACTERÍSTICAS FÍSICAS



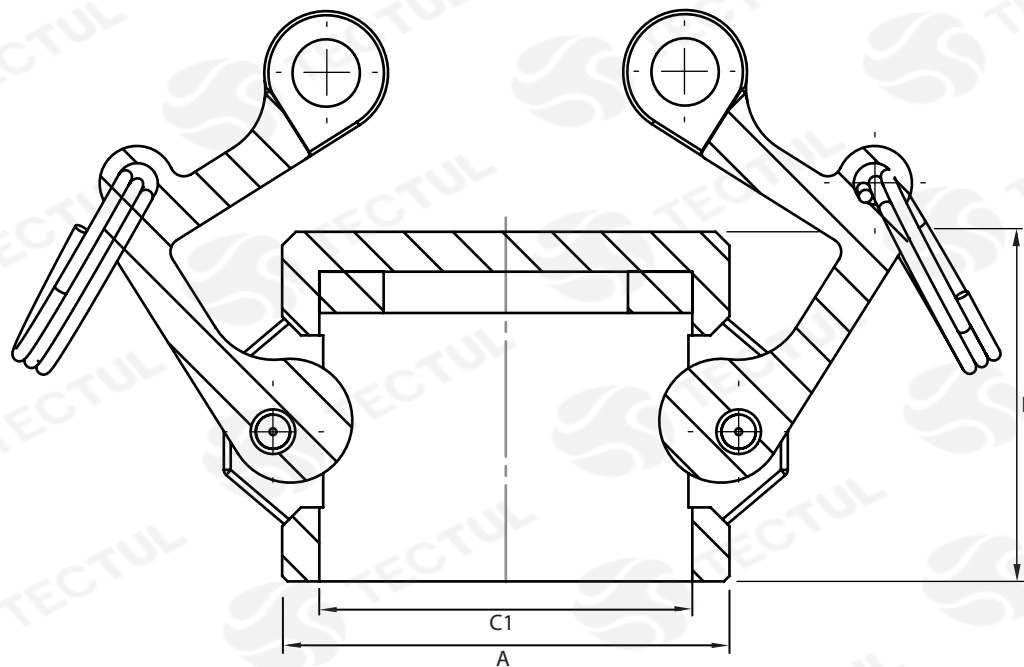
CARACTERÍSTICAS DIMENSIONALES



| DATOS TÉCNICOS | |
|-------------------------|---|
| ATRIBUTO | DESCRIPCIÓN |
| Tipo de Pieza | Tapa Rápida |
| Cuerpo | Aluminio |
| Empaque | Buna / Nitrilo |
| Manivela | Bronce |
| Anillos de Sujeción | Acero al Carbon Plateado en Zinc |
| Rango Máximo de Presión | 1/2" - 4" 150 PSI / 5" -6 " 75 PSI |
| Temperatura | Ambiente |
| Características | Tapa para polvo, no estan diseñados para usos con presión |
| Conexión | Adaptador Hembra |

| DATOS TÉCNICOS | | | | |
|----------------|----------------|----------------------------|-----------------|----------|
| MEDIDA [In] | ANCHO [mm] (A) | DIÁMETRO INTERNO [mm] (C1) | ALTURA [mm] (E) | PESO (g) |
| 1" | 47.80* | 37.00* | 41.50* | 131.75* |
| 1 1/4" | 58.40* | 47.00* | 48.50* | 192.80* |
| 1 1/2" | 65.00* | 54.20* | 50.80* | 225.80* |
| 2" | 78.00* | 64.00* | 54.00* | 329.30* |
| 2 1/2" | 91.00* | 76.30* | 55.50* | 401.83* |

* Fotos y medidas referenciales, sujetas a cambios sin previo aviso por parte del proveedor o fabricante.



* Fotos y medidas referenciales, sujetas a cambios sin previo aviso por parte del proveedor o fabricante.

Última Revisión: Octubre 2021



TECTUL

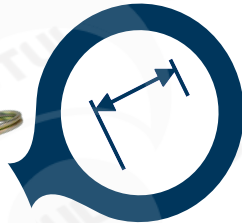
ALUMINUM QUICK CAP

MATERIALS

PHYSICAL CHARACTERISTICS

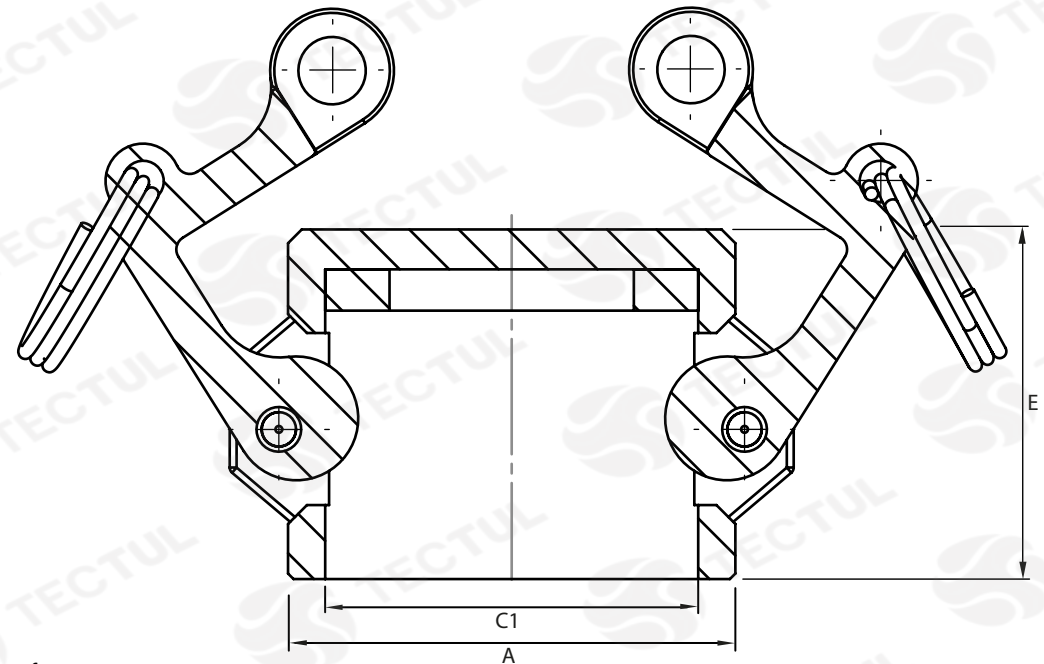


DIMENSIONAL CHARACTERISTICS



| TECNICAL DATA | | | | |
|---------------|----------------|-----------------------------|-----------------|------------|
| SIZE [In] | WIDTH [mm] (A) | INTERNAL DIAMETER [mm] (C1) | HEIGHT [mm] (E) | WEIGHT (g) |
| 1" | 47.80* | 37.00* | 41.50* | 131.75* |
| 1 1/4" | 58.40* | 47.00* | 48.50* | 192.80* |
| 1 1/2" | 65.00* | 54.20* | 50.80* | 225.80* |
| 2" | 78.00* | 64.00* | 54.00* | 329.30* |
| 2 1/2" | 91.00* | 76.30* | 55.50* | 401.83* |

* Reference photos and measurements, subject to change without prior notice from the supplier or manufacturer.



| TECNICAL DATA | |
|------------------------|--|
| ATTRIBUTE | DESCRIPTION |
| Part Type | Quick Cover |
| Body | Aluminum |
| Packing | Buna / Nitrile |
| Crank | Bronze |
| Clamp Rings | Zinc Plated Carbon Steel |
| Maximum Pressure Range | 1/2 "- 4" 150 PSI / 5 "-6" 75 PSI / 8 "PSI |
| Temperature | Environment |
| Features | Dust cap, not designed for pressure use |
| Connection | Female Adapter |

* Reference photos and measurements, subject to change without prior notice from the supplier or manufacturer.

Last Revision: October 2021