



TECTUL

PARTE "F" EN ALUMINIO

MATERIALES

CARACTERÍSTICAS FÍSICAS



CARACTERÍSTICAS DIMENSIONALES



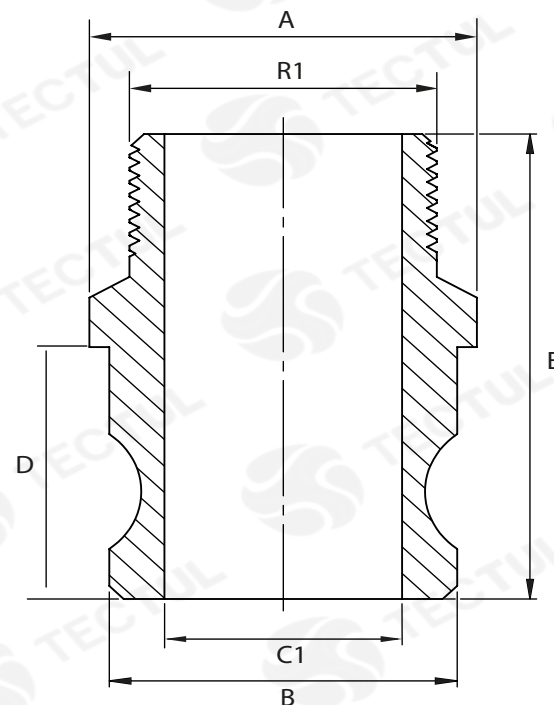
DATOS TÉCNICOS	
ATRIBUTO	DESCRIPCIÓN
Tipo de Pieza	Parte F
Cuerpo	Aluminio
Rango Máximo de Presión	1/2" - 4" 150 PSI / 5" - 6" 75 PSI / 8" PSI
Temperatura	Ambiente
Características	Aleación de aluminio, diseñada especialmente para alta resistencia a la tensión, ligereza y rigidez.
Tipo de Rosca	NPT (Cónica - Rosca Tubería Nacional)
Conexión	Adaptador Macho - Rosca NPT Macho

* Fotos y medidas referenciales, sujetas a cambios sin previo aviso por parte del proveedor o fabricante.

DATOS TÉCNICOS

MEDIDA ROSCA [In] (R1)	ANCHO HEXAGONO [mm] (A)	DIÁMETRO EXTERNO [mm] (B)	DIÁMETRO INTERNO [mm] (C1)	LONGITUD CUERPO [mm] (D)	ALTURA [mm] (E)	PESO (g)
1/2"	25,30*	24,00*	13,00*	26,60*	51,00*	34*
3/4"	35,60*	31,00*	19,00*	31,50*	57,40*	54*
1"	39,00*	36,60*	22,40*	36,50*	61,80*	86*
1 1/4"	52,00*	46,00*	30,00*	43,00*	79,00*	161*
1 1/2"	59,00*	53,00*	36,20*	42,80*	79,00*	200*
2"	64,70*	62,80*	44,50*	49,00*	88,00*	299*
2 1/2"	76,00*	75,00*	55,00*	50,00*	92,50*	433*
3"	92,00*	91,50*	74,70*	50,00*	100,50*	531*
4"	120,50*	119,00*	95,00*	54,20*	103,30*	906*

* Fotos y medidas referenciales, sujetas a cambios sin previo aviso por parte del proveedor o fabricante.





TECTUL

ALUMINUM PART "F"

MATERIALS



PHYSICAL CHARACTERISTICS



DIMENSIONAL CHARACTERISTICS

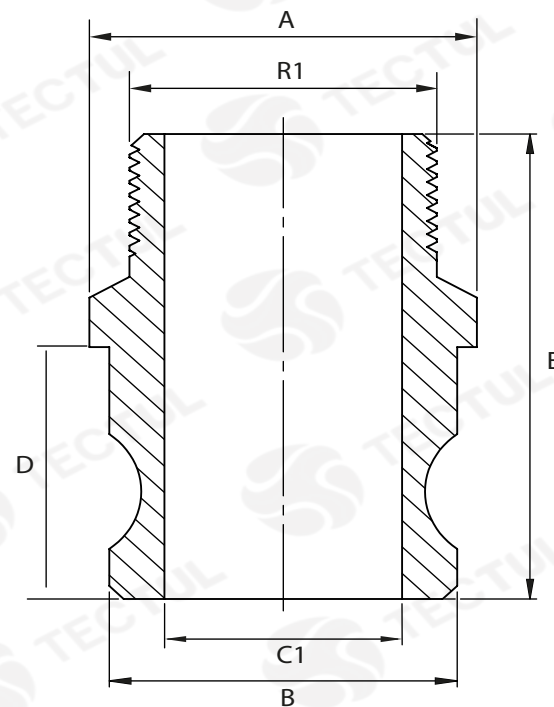


TECNICAL DATA						
THREAD SIZE [In] (R1)	HEXAGON WIDTH [mm] (A)	EXTERNAL DIAMETER [mm] (B)	INTERNAL DIAMETER [mm] (C1)	BODY LENGTH [mm] (D)	HEIGHT [mm] (E)	WEIGHT (g)
1/2"	25,30*	24,00*	13,00*	26,60*	51,00*	34*
3/4"	35,60*	31,00*	19,00*	31,50*	57,40*	54*
1"	39,00*	36,60*	22,40*	36,50*	61,80*	86*
1 1/4"	52,00*	46,00*	30,00*	43,00*	79,00*	161*
1 1/2"	59,00*	53,00*	36,20*	42,80*	79,00*	200*
2"	64,70*	62,80*	44,50*	49,00*	88,00*	299*
2 1/2"	76,00*	75,00*	55,00*	50,00*	92,50*	433*
3"	92,00*	91,50*	74,70*	50,00*	100,50*	531*
4"	120,50*	119,00*	95,00*	54,20*	103,30*	906*

* Reference photos and measurements, subject to change without prior notice from the supplier or manufacturer.

TECNICAL DATA	
ATTRIBUTE	DESCRIPTION
Part Type	Part F
Body	Aluminum
Maximum Pressure Range	1/2" - 4" 150 PSI / 5" - 6" 75 PSI / 8" PSI
Temperature	Environment
Features	Aluminum alloy, specially designed for high tensile strength, lightness and rigidity,
Thread Type	NPT (Conical - National Pipe Thread)
Connection	Male Adapter - Male NPT Thread

* Reference photos and measurements, subject to change without prior notice from the supplier or manufacturer.



Last Revision: October 2021