



TECTUL

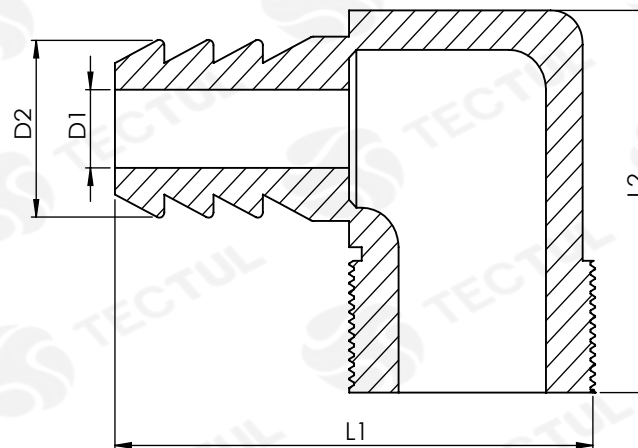
B3 - CODO 90° ROSCA x MANGUERA

CARACTERÍSTICAS

DISEÑO



MATERIALES



* Vista de sección transversal de tipo informativa. No representa versión específica del accesorio.

DATOS TÉCNICOS

MEDIDA [NPT x MANG]	D1 [mm]	D2 [mm]	L1 [mm]	L2 [mm]	PESO [g]
1/8" x 3/16"	2.50*	5.50*	30.00*	15.00*	25.00*
1/8" x 1/4"	4.00*	7.00*	35.00*	21.00*	29.00*
1/8" x 5/16"	5.50*	8.50*	35.00*	21.00*	44.00*
1/8" x 3/8"	6.50*	10.50*	32.00*	26.00*	32.00*
1/4" x 1/4"	4.00*	7.00*	41.00*	28.00*	29.00*
1/4" x 5/16"	5.50*	8.50*	35.00*	26.00*	54.00*
1/4" x 3/8"	6.50*	10.50*	35.00*	25.50*	47.00*
1/4" x 1/2"	9.50*	13.50*	42.00*	30.00*	46.00*
3/8" x 1/4"	4.00*	7.00*	37.00*	31.00*	34.00*
3/8" x 5/16"	5.50*	8.50*	37.00*	31.00*	31.00*
3/8" x 3/8"	6.50*	10.50*	37.00*	31.00*	34.00*
3/8" x 1/2"	9.50*	13.50*	37.00*	31.00*	35.00*
1/2" x 1/4"	4.00*	7.00*	42.00*	35.00*	53.00*
1/2" x 5/16"	5.50*	8.50*	42.00*	35.00*	57.00*
1/2" x 3/8"	6.50*	10.50*	42.00*	35.00*	55.00*
1/2" x 1/2"	9.50*	13.50*	42.00*	35.00*	52.00*

CARACTERÍSTICAS



Utilizados en la conducción de fluidos como agua y aire

MATERIALES



Fabricado en Bronce latón

NORMAS DE DISEÑO



Dimensiones según la Norma Nacional estadounidense. Conexión roscada NPT según ANSI / ASME B1.20.1

* Fotos y medidas referenciales, sujetas a cambios sin previo aviso por parte del proveedor o fabricante.



TECTUL

B3 - ELBOW 90° THREAD x HOSE

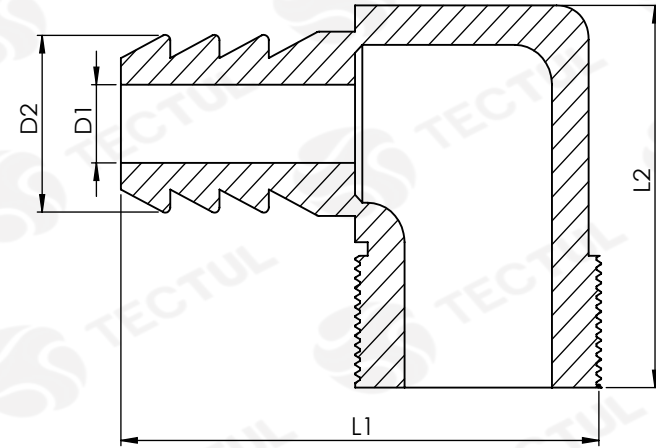
CHARACTERISTICS



DESIGN



MATERIALS



* Informational type cross section view. It does not represent the specific version of the accessory.

TECNICAL DATA

MEASURE [NPT x HOSE]	D1 [mm]	D2 [mm]	L1 [mm]	L2 [mm]	PESO [g]
1/8" x 3/16"	2.50*	5.50*	30.00*	15.00*	25.00*
1/8" x 1/4"	4.00*	7.00*	35.00*	21.00*	29.00*
1/8" x 5/16"	5.50*	8.50*	35.00*	21.00*	44.00*
1/8" x 3/8"	6.50*	10.50*	32.00*	26.00*	32.00*
1/4" x 1/4"	4.00*	7.00*	41.00*	28.00*	29.00*
1/4" x 5/16"	5.50*	8.50*	35.00*	26.00*	54.00*
1/4" x 3/8"	6.50*	10.50*	35.00*	25.50*	47.00*
1/4" x 1/2"	9.50*	13.50*	42.00*	30.00*	46.00*
3/8" x 1/4"	4.00*	7.00*	37.00*	31.00*	34.00*
3/8" x 5/16"	5.50*	8.50*	37.00*	31.00*	31.00*
3/8" x 3/8"	6.50*	10.50*	37.00*	31.00*	34.00*
3/8" x 1/2"	9.50*	13.50*	37.00*	31.00*	35.00*
1/2" x 1/4"	4.00*	7.00*	42.00*	35.00*	53.00*
1/2" x 5/16"	5.50*	8.50*	42.00*	35.00*	57.00*
1/2" x 3/8"	6.50*	10.50*	42.00*	35.00*	55.00*
1/2" x 1/2"	9.50*	13.50*	42.00*	35.00*	52.00*

* Reference photos and measurements, subject to change without prior notice from the supplier or manufacturer.

CHARACTERISTICS



Used in the conduction of fluids like water and air

MATERIALS



Made of Brass bronze

DESIGN STANDARDS



Dimensions according to the Standard National American. Threaded connection NPT per ANSI / ASME B1.20.1