



# TECTUL

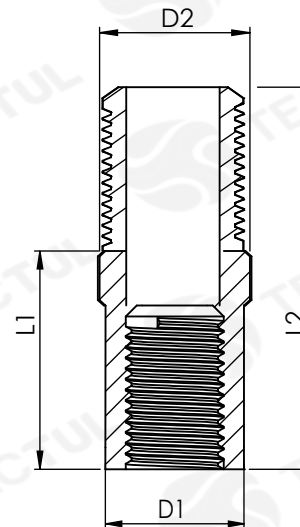
## B120 - RACOR MACHO-HEMBRA

### CARACTERÍSTICAS

#### DISEÑO



#### MATERIALES



\* Vista de sección transversal de tipo informativa. No representa version especifica del accesorio.

### CARACTERÍSTICAS



Utilizados en la conducción de fluidos como agua y aire

### MATERIALES



Fabricados en Bronce latón

### NORMAS DE DISEÑO



Dimensiones según la Norma Nacional estadounidense. Conexión roscada NPT según ANSI / ASME B1.20.1

### DATOS TÉCNICOS

| MEDIDA      | D1 [in] | D2 [in] | L1 [mm] | L2 [mm] | PESO [g] |
|-------------|---------|---------|---------|---------|----------|
| 1/8" x 1/8" | 1/2"    | 1/2"    | 11.00*  | 19.00*  | 10.00*   |
| 1/4" x 1/4" | 5/8"    | 5/8"    | 16.50*  | 25.00*  | 17.00*   |
| 3/8" x 3/8" | 13/16"  | 13/16"  | 16.00*  | 28.00*  | 34.00*   |
| 1/2" x 1/2" | 1"      | 1"      | 23.00*  | 36.00*  | 69.00*   |

\* Fotos y medidas referenciales, sujetas a cambios sin previo aviso por parte del proveedor o fabricante.



# TECTUL

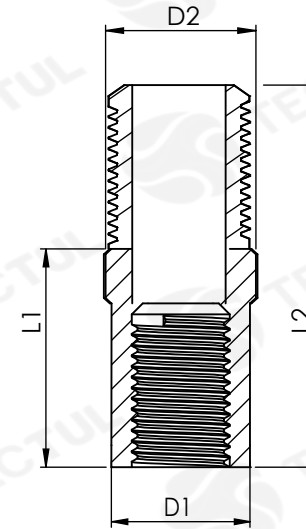
## B120 - MALE FEMALE FITTING

### CHARACTERISTICS

#### DESIGN



#### MATERIALS



\* Informational type cross section view. It does not represent the specific version of the accessory.

### CHARACTERISTICS



Used in the conduction of fluids like water and air

### MATERIALS



Made of Brass bronze

### DESIGN STANDARDS



Dimensions according to the Standard National American. Threaded connection NPT per ANSI / ASME B1.20.1

### TECNICAL DATA

| MEASURE     | D1 [in] | D2 [in] | L1 [mm] | L2 [mm] | WEIGHT [g] |
|-------------|---------|---------|---------|---------|------------|
| 1/8" x 1/8" | 1/2"    | 1/2"    | 11.00*  | 19.00*  | 10.00*     |
| 1/4" x 1/4" | 5/8"    | 5/8"    | 16.50*  | 25.00*  | 17.00*     |
| 3/8" x 3/8" | 13/16"  | 13/16"  | 16.00*  | 28.00*  | 34.00*     |
| 1/2" x 1/2" | 1"      | 1"      | 23.00*  | 36.00*  | 69.00*     |

\* Reference photos and measurements, subject to change without prior notice from the supplier or manufacturer.