



TECTUL

REDUCCION EXENTRICA AC EXTREMOS SOLDABLES

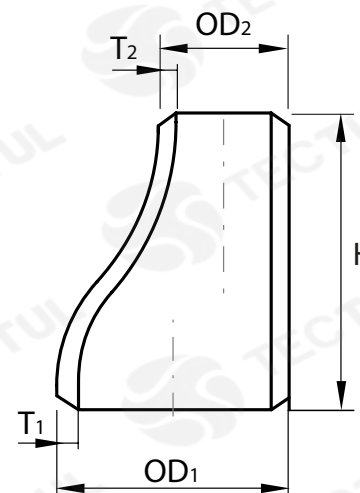
MATERIALES



APLICACIONES



NORMAS DE DISEÑO



* Vista de sección transversal de tipo informativa. No representa una versión específica del accesorio o elemento.



MATERIALES

Accesorio con conexión soldable Butt Weld, fabricados en acero al Carbono A105 y con extremos biselados. Disponibles en Schedule 40.



APLICACIONES

Accesorio con conexión soldable Butt Weld. Con extremos biselados. Ideal para la conducción de agua, vapor, gases y aceites



NORMAS DE DISEÑO

ANSI / ASME B16.9

DATOS TECNICOS

MEDIDA [in]	DIÁMETRO EXTERIOR OD1 [mm]	DIÁMETRO EXTERIOR OD2 [mm]	ESPESOR T1 [mm]	ESPESOR T2 [mm]	ALTURA H [mm]	PESO [Kg]
3/4"x1/2"	26,7*	21,3*	2,87*	2,77*	38,1*	0,06*
1"x3/4"	33,4*	26,7*	3,38*	2,87*	50,8*	0,12*
1" x 1/2"	33,4*	21,3*	3,38*	2,77*	50,8*	0,11*
1-1/4" x 1"	42,2*	33,4*	3,56*	3,38*	50,8*	0,16*
1-1/4" x 3/4"	42,2*	26,7*	3,56*	2,87*	50,8*	0,15*
1-1/4" x 1/2"	42,2*	21,3*	3,56*	2,77*	50,8*	0,14*
1-1/2" x 1-1/4"	48,3*	42,2*	3,68*	3,56*	63,5*	0,25*
1-1/2" x 1"	48,3*	33,4*	3,68*	3,38*	63,5*	0,22*
1-1/2" x 3/4"	48,3*	26,7*	3,68*	2,87*	63,5*	0,21*
2" x 1-1/2"	60,3*	48,3*	3,91*	3,68*	76,2*	0,38*
2" x 1-1/4"	60,3*	42,2*	3,91*	3,56*	76,2*	0,36*
2" x 1"	60,3*	33,4*	3,91*	3,38*	76,2*	0,33*
2-1/2" x 2"	73*	60,3*	5,16*	3,91*	88,9*	0,73*
2-1/2" x 1-1/2"	73*	48,3*	5,16*	3,68*	88,9*	0,67*
2-1/2" x 1-1/4"	73*	42,2*	5,16*	3,56*	88,9*	0,64*
3" x 2-1/2"	88,9*	73*	5,49*	5,16*	101,6*	0,84*
3" x 2"	88,10*	60,3*	5,49*	3,91*	101,6*	0,85*
3" x 1-1/2"	88,11*	48,3*	5,49*	3,68*	101,6*	0,79*
4" x 3"	114,3*	88,9*	6,02*	5,49*	101,6*	1,45*
4" x 2-1/2"	114,4*	73*	6,02*	5,16*	101,6*	1,37*
4" x 2"	114,5*	60,3*	6,02*	3,91*	101,6*	1,25*

* Fotos y medidas referenciales, sujetas a cambios sin previo aviso por parte del proveedor o fabricante.



TECTUL

REDUCER EXCENTRIC AC BUTT WELD

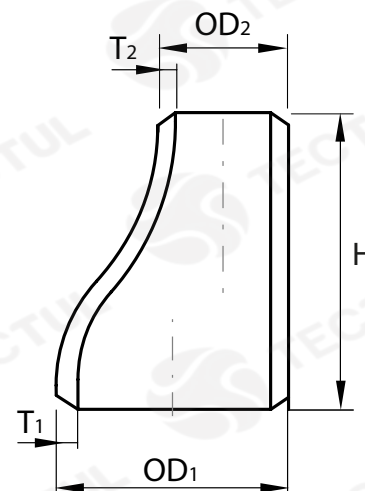
MATERIALS



APPLICATIONS



DESIGN STANDARDS



* Informational cross-sectional view. Does not represent a specific version of the accessory or item.



MATERIALS

Butt weldable fitting
Weld, made of carbon steel
A105 and with beveled ends.
Available in Schedule 40.



APPLICATIONS

Accessory with Butt Weld weldable
connection. With beveled ends. Ideal for the
conduction of water, steam, gases and oils



DESIGN STANDARDS

ANSI / ASME B16.9

TECHNICAL DATA

MEDIDA [in]	EXTERNAL DIAMETER OD1 [mm]	EXTERNAL DIAMETER OD2 [mm]	THICKNESS T1 [mm]	THICKNESS T2 [mm]	HEIGHT H [mm]	PESO [Kg]
3/4"x1/2"	26,7*	21,3*	2,87*	2,77*	38,1*	0,06*
1"x3/4"	33,4*	26,7*	3,38*	2,87*	50,8*	0,12*
1" x 1/2"	33,4*	21,3*	3,38*	2,77*	50,8*	0,11*
1-1/4" x 1"	42,2*	33,4*	3,56*	3,38*	50,8*	0,16*
1-1/4" x 3/4"	42,2*	26,7*	3,56*	2,87*	50,8*	0,15*
1-1/4" x 1/2"	42,2*	21,3*	3,56*	2,77*	50,8*	0,14*
1-1/2" x 1-1/4"	48,3*	42,2*	3,68*	3,56*	63,5*	0,25*
1-1/2" x 1"	48,3*	33,4*	3,68*	3,38*	63,5*	0,22*
1-1/2" x 3/4"	48,3*	26,7*	3,68*	2,87*	63,5*	0,21*
2" x 1-1/2"	60,3*	48,3*	3,91*	3,68*	76,2*	0,38*
2" x 1-1/4"	60,3*	42,2*	3,91*	3,56*	76,2*	0,36*
2" x 1"	60,3*	33,4*	3,91*	3,38*	76,2*	0,33*
2-1/2" x 2"	73*	60,3*	5,16*	3,91*	88,9*	0,73*
2-1/2" x 1-1/2"	73*	48,3*	5,16*	3,68*	88,9*	0,67*
2-1/2" x 1-1/4"	73*	42,2*	5,16*	3,56*	88,9*	0,64*
3" x 2-1/2"	88,9*	73*	5,49*	5,16*	101,6*	0,84*
3" x 2"	88,10*	60,3*	5,49*	3,91*	101,6*	0,85*
3" x 1-1/2"	88,11*	48,3*	5,49*	3,68*	101,6*	0,79*
4" x 3"	114,3*	88,9*	6,02*	5,49*	101,6*	1,45*
4" x 2-1/2"	114,4*	73*	6,02*	5,16*	101,6*	1,37*
4" x 2"	114,5*	60,3*	6,02*	3,91*	101,6*	1,25*

* Reference photos and measurements, subject to change without prior notice from the supplier or manufacturer.