



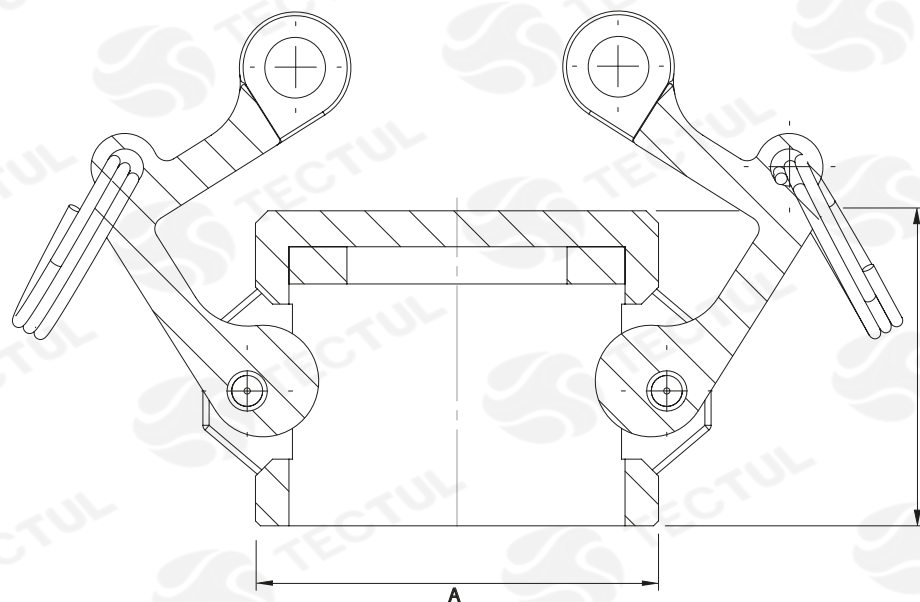
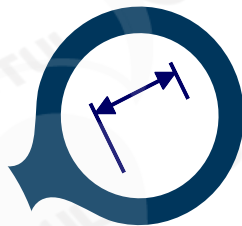
TECTUL

PARTE DC - INOXIDABLE

MATERIALES

CARACTERÍSTICAS

DISEÑO



* Vista de sección transversal de tipo informativa. No representa una versión específica del accesorio de acero inoxidable.

CARACTERÍSTICAS FÍSICAS

Son accesorios de acople fácil y realizan trabajos de carga y descarga de productos. Se usa para gasolina, petróleo, petroquímicos, aire, alimentos.

MATERIALES

Están hechos de acero inoxidable A316 con empaque en nitrilo

NORMAS DE DISEÑO

Son fabricados de acuerdo a las normas DIN2828 - MIL-C-27487

DATOS TÉCNICOS

MEDIDA	LONGITUD TOTAL [mm](E)	ANCHO MÁXIMO [mm](A)	PESO [g]
1/2"	43.00	39.00	516.55
3/4"	46.00	54.00	552.59
1"	52.00	59.00	624.67
1 1/4"	60.00	70.00	720.77
1 1/2"	63.00	80.00	756.81
2"	70.00	89.00	840.90
2 1/2"	73.00	105.00	876.94
3"	78.00	121.00	937.00
4"	90.00	150.00	1081.15

* Fotos y medidas referenciales, sujetas a cambios sin previo aviso por parte del proveedor o fabricante.



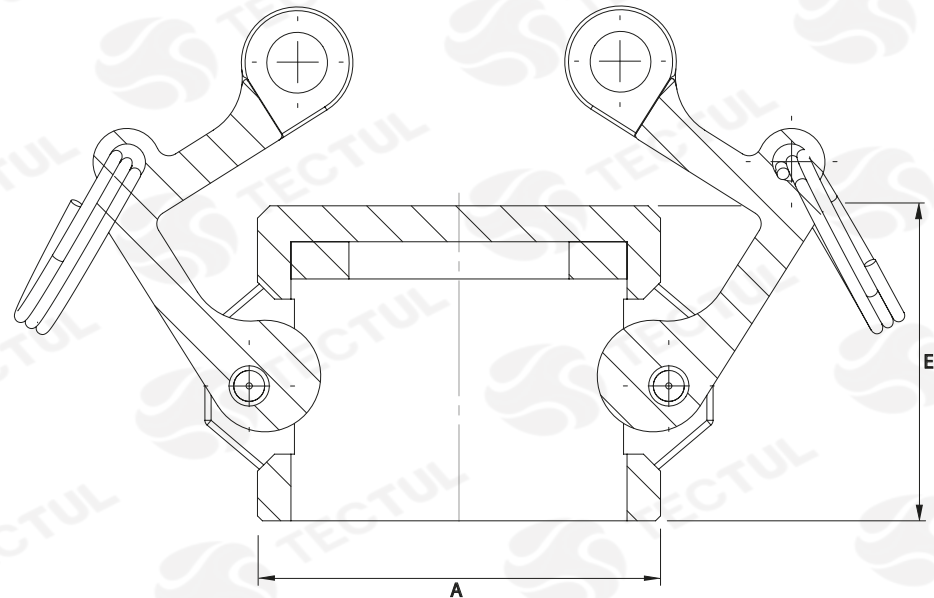
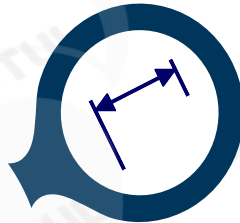
TECTUL

PART DC - STAINLESS

MATERIALS

PHYSICAL CHARACTERISTICS

DESIGN



* Informational type cross section view. It does not represent a specific version of the the stainless steel accessory.

PHYSICAL CHARACTERISTICS

They are easy to attach accessories and perform product loading and unloading work. They are used for gasoline, oil, petrochemicals, air, food.

MATERIALS

They are made of A316 stainless steel with nitrile packing.

DESIGN STANDARDS

They are manufactured under the standards DIN2828-MIL-C-27487

TECHNICAL DATA

MEASURE	TOTAL LENGHT [mm](E)	MAX WIDTH [mm](A)	WEIGHT [g]
1/2"	43.00	39.00	516.55
3/4"	46.00	54.00	552.59
1"	52.00	59.00	624.67
1 1/4"	60.00	70.00	720.77
1 1/2"	63.00	80.00	756.81
2"	70.00	89.00	840.90
2 1/2"	73.00	105.00	876.94
3"	78.00	121.00	937.00
4"	90.00	150.00	1081.15

* Reference photos and measurements, subject to change without prior notice from the supplier or manufacturer.