



TECTUL

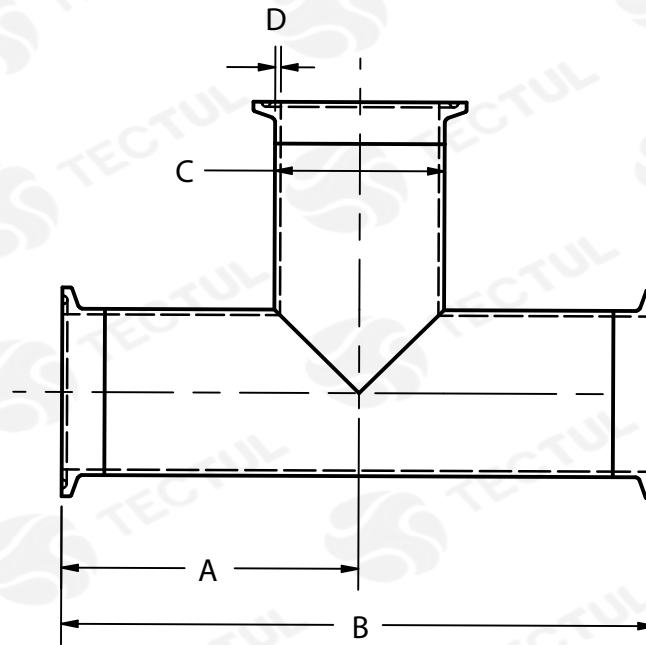
TEE SANITARIO INOXIDABLE TIPO CLAMP

MATERIALES

CARACTERÍSTICAS FÍSICAS



CARACTERÍSTICAS DIMENSIONALES



* Vista de sección transversal de tipo informativa. No representa una versión específica del accesorio o elemento.

MATERIALES



Fabricados acero inoxidable 304 o 316L.
Cumplen con la norma 3-A

CARACTERÍSTICAS FÍSICAS



Accesorios grado alimenticio. Su material brinda una alta resistencia a la corrosión y una larga vida de uso

CARACTERÍSTICAS DIMENSIONALES



Dimensiones básicas según la Norma Nacional estadounidense. Para alimentos y conducción de fluidos como agua y aire

DATOS TÉCNICOS

| MEDIDA | LONGITUD [mm](B) | DISTANCIA A CENTRO [mm](A) | DIÁMETRO EXTERNO [mm](C) | ESPELOR DE PARED [mm](D) | PESO [g] |
|--------|------------------|----------------------------|--------------------------|--------------------------|----------|
| 1" | 120,65* | 60,32* | 50,39* | 1,65* | 308* |
| 1-1/2" | 139,70* | 69,85* | 50,39* | 1,65* | 326* |
| 2" | 177,80* | 88,90* | 63,90* | 1,65* | 544* |
| 2-1/2" | 177,80* | 88,90* | 77,39* | 1,65* | 662* |
| 3" | 190,50* | 95,25* | 90,90* | 1,65* | 807* |
| 4" | 228,60* | 114,30* | 118,92* | 2,10* | 1601* |
| 6" | 323,85* | 161,92* | 166,67* | 2,76* | 6350* |

* Fotos y medidas referenciales, sujetas a cambios sin previo aviso por parte del proveedor o fabricante.



TECTUL

TEE SANITARY STAINLESS CLAMP TYPE

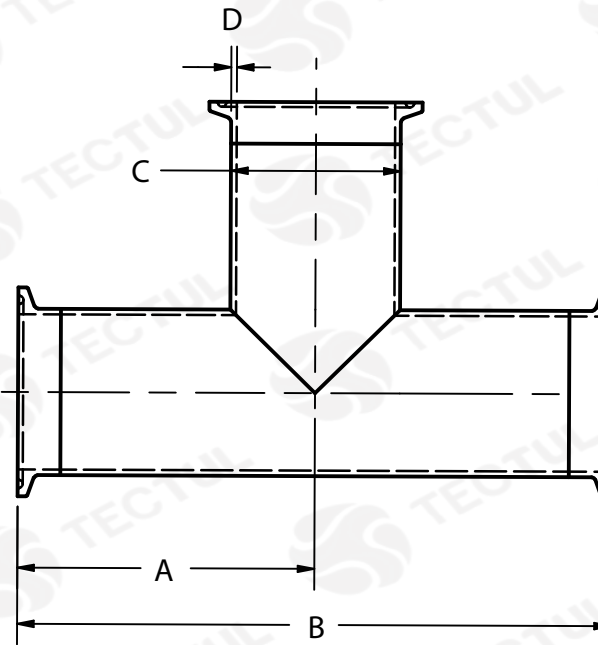
MATERIALS



PHYSICAL CHARACTERISTICS



DIMENSIONAL CHARACTERISTICS



* Informational cross-sectional view. Does not represent a specific version of the accessory or item.



MATERIALS

Made of 304 or 316L stainless steel.
3-A Compliant



PHYSICAL CHARACTERISTICS

Food grade accessories. your material
Provides high corrosion resistance
and a long life of use



DIMENSIONAL CHARACTERISTICS

Basic dimensions according to the Standard
American National. for food and
conduction of fluids such as water and air

TECHNICAL DATA

| MEASURE | LENGTH [mm](B) | DISTANCE TO CENTER [mm](A) | EXTERNAL DIAMETER [mm](C) | WALL THICKNESS [mm](D) | WEIGHT [g] |
|---------|----------------|----------------------------|---------------------------|------------------------|------------|
| 1" | 120,65* | 60,32* | 50,39* | 1,65* | 308* |
| 1-1/2" | 139,70* | 69,85* | 50,39* | 1,65* | 326* |
| 2" | 177,80* | 88,90* | 63,90* | 1,65* | 544* |
| 2-1/2" | 177,80* | 88,90* | 77,39* | 1,65* | 662* |
| 3" | 190,50* | 95,25* | 90,90* | 1,65* | 807* |
| 4" | 228,60* | 114,30* | 118,92* | 2,10* | 1601* |
| 6" | 323,85* | 161,92* | 166,67* | 2,76* | 6350* |

* Reference photos and measurements, subject to change without prior notice from the supplier or manufacturer.