



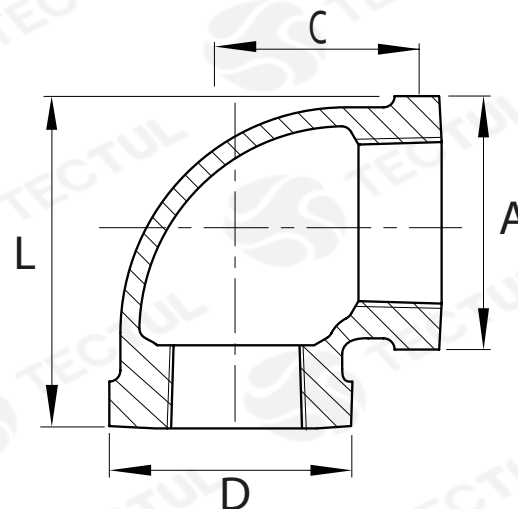
TECTUL

CODO REDUCIDO - CLASE 150

MATERIALES

CARACTERÍSTICAS FÍSICAS

CARACTERÍSTICAS DIMENSIONALES



* Vista de sección transversal de tipo informativa. No representa una versión específica del accesorio o elemento.

MATERIALES

Fabricado en hierro maleable galvanizado. Recubierto ASTM A-197 ASTM A153 HOT-DIP (Caliente)

CARACTERÍSTICAS FÍSICAS

Cumple con los estándares de diseño ANSI/ASME B16.3 y B16.14. Extremos reforzados y estándar UL/FM

CARACTERÍSTICAS DIMENSIONALES

Dimensiones básicas según la Norma Nacional estadounidense. Con conexión roscada NPT según ANSI/ASME B1.20.1

DATOS TÉCNICOS

MEDIDA	DISTANCIA A CENTRO [mm] (C)	ALTURA [mm] (L)	DIÁMETRO EXTERNO 1 [mm] (A)	DIÁMETRO EXTERNO 2 [mm] (D)	PASO DE ROSCA [H/In]	PESO [g]
1/2" x 3/8"	26,00*	40,60*	29,20*	26,75*	14 X 18	94*
3/4" X 3/8"	28,05*	46,12*	36,15*	26,75*	14 X 18	112*
3/4" X 1/4"	27,00*	45,00*	36,00*	23,00*	14 X 27	120*
3/4" X 1/2"	31,00*	45,00*	36,00*	30,00*	14 X 14	107*
1" x 3/8"	32,00*	53,32*	42,65*	26,75*	11.5 X 14	125*
1" x 1/2"	31,00*	54,00*	44,00*	29,00*	11.5 X 14	141*
1" x 3/4"	33,00*	52,00*	43,00*	37,00*	11.5 X 14	173*
1-1/4" x 1/2"	38,50*	64,87*	52,75*	36,15*	11.5 X 14	275*
1-1/2" x 1-1/4"	47,50*	77,20*	59,40*	52,75*	11.5 X 14	385*
2" x 3/4"	50,00*	85,52*	71,05*	36,15*	11.5 X 14	755*

* Fotos y medidas referenciales, sujetas a cambios sin previo aviso por parte del proveedor o fabricante.



TECTUL

REDUCING ELBOW - CLASS 150

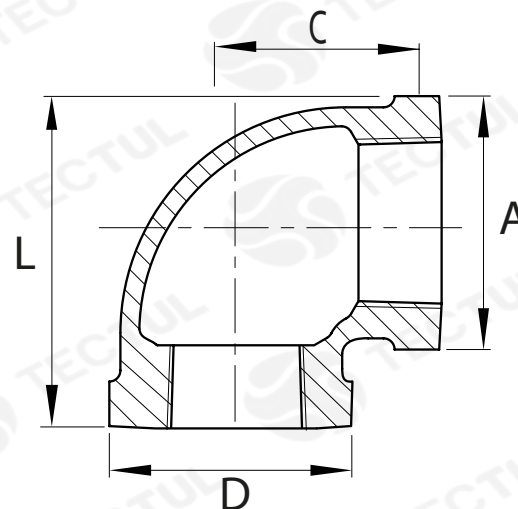
MATERIALS



PHYSICAL CHARACTERISTICS



DIMENSIONAL CHARACTERISTICS



* Informational cross-sectional view. Does not represent a specific version of the accessory or item.

MATERIALS



Made of galvanized malleable iron
Coated ASTM A-197
ASTM A153 HOT-DIP (Hot)

PHYSICAL CHARACTERISTICS



Meets design standards
ANSI/ASME B16.3 and B16.14.
Reinforced ends and UL/FM standard

DIMENSIONAL CHARACTERISTICS



Basic dimensions according to the Standard
National American. With threaded
connection NPT per ANSI/ASME B1.20.1

TECHNICAL DATA

MEASURE	DISTANCE TO CENTER [mm] (C)	HEIGHT [mm] (L)	EXTERNAL DIAMETER 1 [mm] (A)	EXTERNAL DIAMETER 2 [mm] (D)	THREAD PITCH [H/In]	WEIGHT [g]
1/2" x 3/8"	26,00*	40,60*	29,20*	26,75*	14 X 18	94*
3/4" X 3/8"	28,05*	46,12*	36,15*	26,75*	14 X 18	112*
3/4" X 1/4"	27,00*	45,00*	36,00*	23,00*	14 X 27	120*
3/4" X 1/2"	31,00*	45,00*	36,00*	30,00*	14 X 14	107*
1" x 3/8"	32,00*	53,32*	42,65*	26,75*	11.5 X 14	125*
1" x 1/2"	31,00*	54,00*	44,00*	29,00*	11.5 X 14	141*
1" x 3/4"	33,00*	52,00*	43,00*	37,00*	11.5 X 14	173*
1-1/4" x 1/2"	38,50*	64,87*	52,75*	36,15*	11.5 X 14	275*
1-1/2" x 1-1/4"	47,50*	77,20*	59,40*	52,75*	11.5 X 14	385*
2" x 3/4"	50,00*	85,52*	71,05*	36,15*	11.5 X 14	755*

* Reference photos and measurements, subject to change without prior notice from the supplier or manufacturer.