



# TECTUL

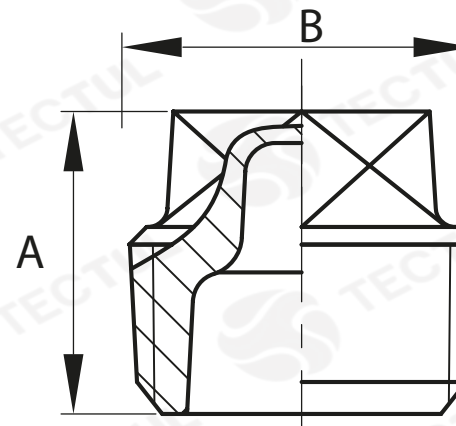
# TAPÓN MACHO - CLASE 150

## MATERIALES

## CARACTERÍSTICAS FÍSICAS



## CARACTERÍSTICAS DIMENSIONALES



\* Vista de sección transversal de tipo informativa. No representa una versión específica del accesorio o elemento.

## MATERIALES



Fabricado en hierro maleable galvanizado. Recubierto ASTM A-197 ASTM A153 HOT-DIP (Caliente)

## CARACTERÍSTICAS FÍSICAS



Cumple con los estándares de diseño ANSI/ASME B16.3 y B16.14. Extremos reforzados y estándar UL/FM

## CARACTERÍSTICAS DIMENSIONALES



Dimensiones básicas según la Norma Nacional estadounidense. Con conexión roscada NPT según ANSI/ASME B1.20.1

## DATOS TÉCNICOS

| MEDIDA | ALTURA [mm] (A) | DIÁMETRO EXTERNO [mm] (B) | PASO DE ROSCA [H/In] | PESO [g] |
|--------|-----------------|---------------------------|----------------------|----------|
| 1/4"   | 22,00*          | 14,00*                    | 18                   | 14*      |
| 3/8"   | 23,00*          | 18,00*                    | 18                   | 28*      |
| 1/2"   | 26,00*          | 22,00*                    | 14                   | 30*      |
| 3/4"   | 23,00*          | 27,00*                    | 14                   | 43*      |
| 1"     | 24,00*          | 33,00*                    | 11,5                 | 57*      |
| 1-1/4" | 25,00*          | 41,00*                    | 11,5                 | 127*     |
| 1-1/2" | 30,00*          | 42,00*                    | 11,5                 | 110*     |
| 2"     | 41,00*          | 61,00*                    | 11,5                 | 328*     |
| 2-1/2" | 47,00*          | 72,00*                    | 8                    | 390*     |
| 3"     | 51,00*          | 89,00*                    | 8                    | 686*     |
| 4"     | 67,00*          | 114,00*                   | 8                    | 1169*    |
| 6"     | 75,00*          | 170,00*                   | 8                    | 2938*    |

\* Fotos y medidas referenciales, sujetas a cambios sin previo aviso por parte del proveedor o fabricante.



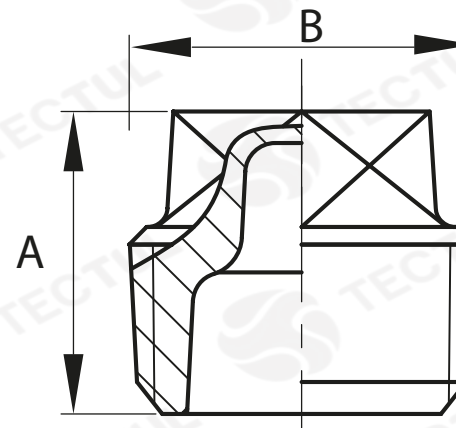
# TECTUL

# CORED PLUG - CLASS 150

## MATERIALS

## PHYSICAL CHARACTERISTICS

## DIMENSIONAL CHARACTERISTICS



\* Informational cross-sectional view. Does not represent a specific version of the accessory or item.

## MATERIALS

Made of galvanized malleable iron  
Coated ASTM A-197  
ASTM A153 HOT-DIP (Hot)

## PHYSICAL CHARACTERISTICS

Meets design standards  
ANSI/ASME B16.3 and B16.14.  
Reinforced ends and UL/FM standard

## DIMENSIONAL CHARACTERISTICS

Basic dimensions according to the Standard  
National American. With threaded  
connection NPT per ANSI/ASME B1.20.1

## TECHNICAL DATA

| MEASURE | HEIGHT [mm] (A) | EXTERNAL DIAMETER [mm] (B) | THREAD PITCH [H/In] | WEIGHT [g] |
|---------|-----------------|----------------------------|---------------------|------------|
| 1/4"    | 22,00*          | 14,00*                     | 18                  | 14*        |
| 3/8"    | 23,00*          | 18,00*                     | 18                  | 28*        |
| 1/2"    | 26,00*          | 22,00*                     | 14                  | 30*        |
| 3/4"    | 23,00*          | 27,00*                     | 14                  | 43*        |
| 1"      | 24,00*          | 33,00*                     | 11,5                | 57*        |
| 1 1/4"  | 25,00*          | 41,00*                     | 11,5                | 127*       |
| 1 1/2"  | 30,00*          | 42,00*                     | 11,5                | 110*       |
| 2"      | 41,00*          | 61,00*                     | 11,5                | 328*       |
| 2 1/2"  | 47,00*          | 72,00*                     | 8                   | 390*       |
| 3"      | 51,00*          | 89,00*                     | 8                   | 686*       |
| 4"      | 67,00*          | 114,00*                    | 8                   | 1169*      |
| 6"      | 75,00*          | 170,00*                    | 8                   | 2938*      |

\* Reference photos and measurements, subject to change without prior notice from the supplier or manufacturer.